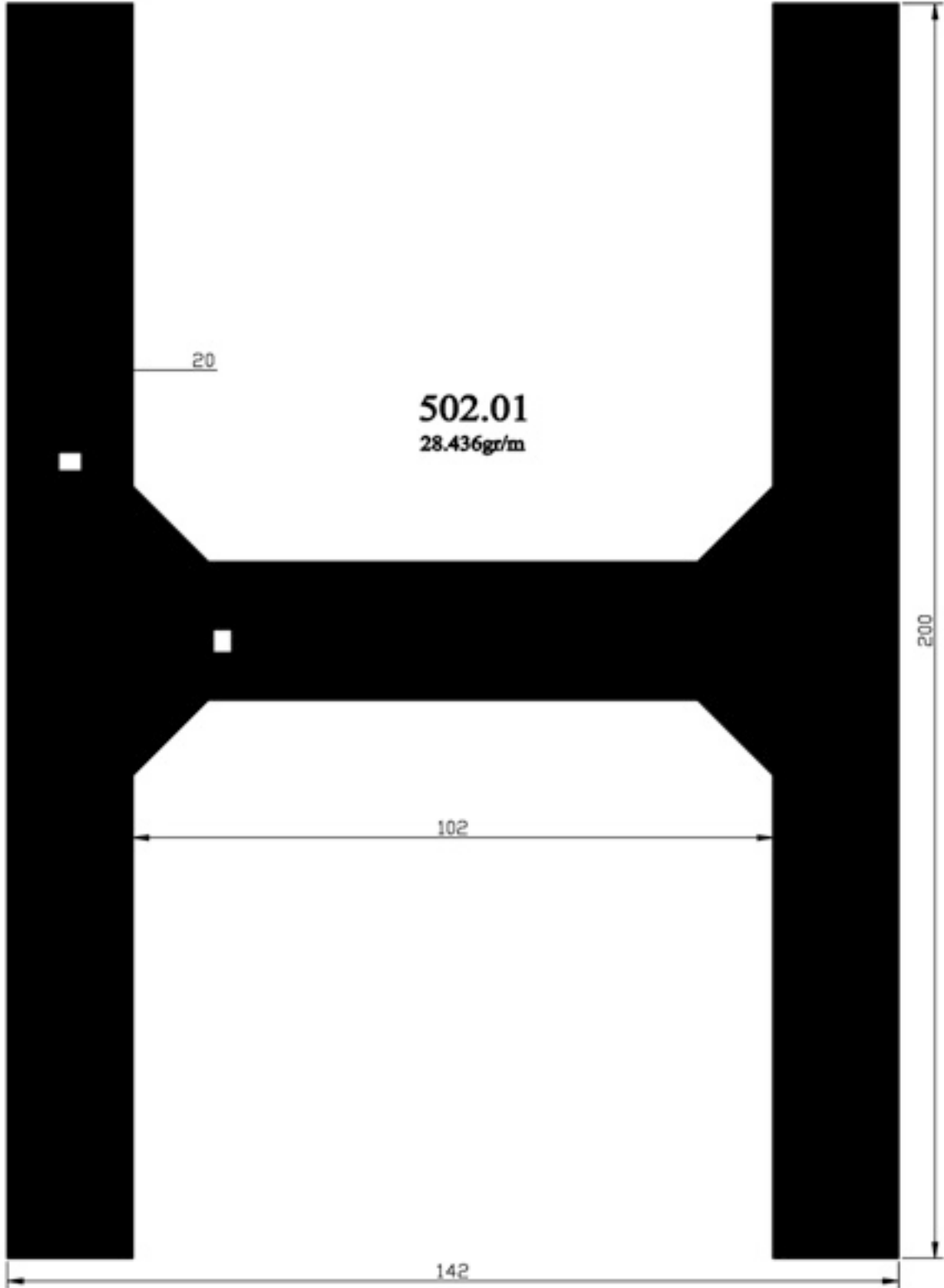
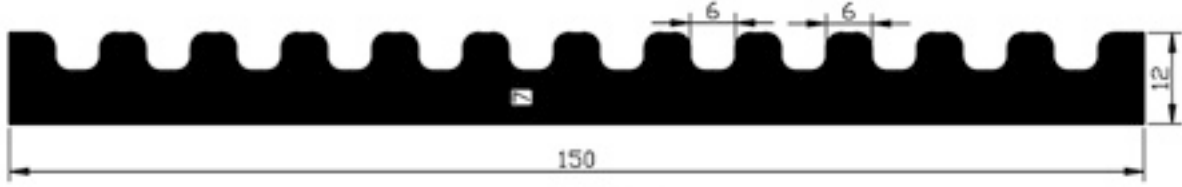


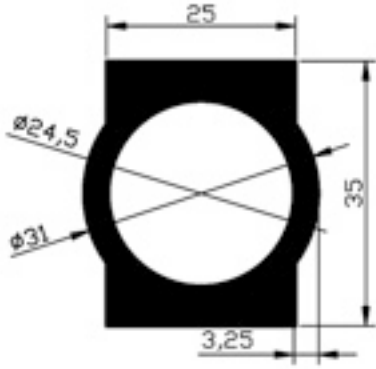
SANAYİ PROFİLLERİ 502



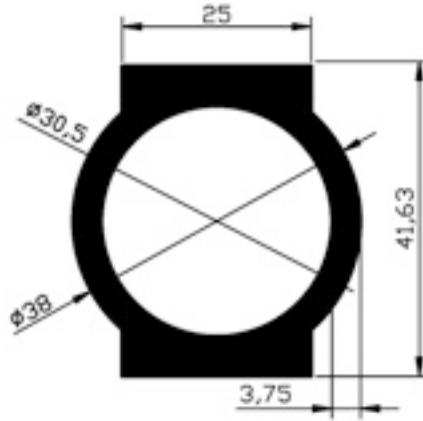
SANAYİ PROFİLLERİ 502



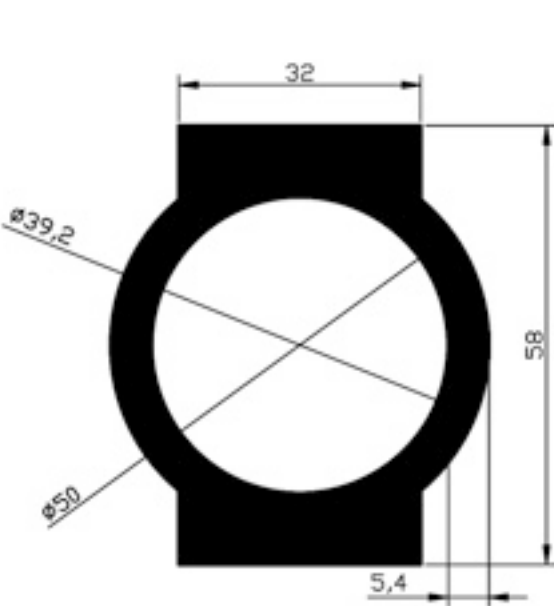
502.02
3.888gr/m



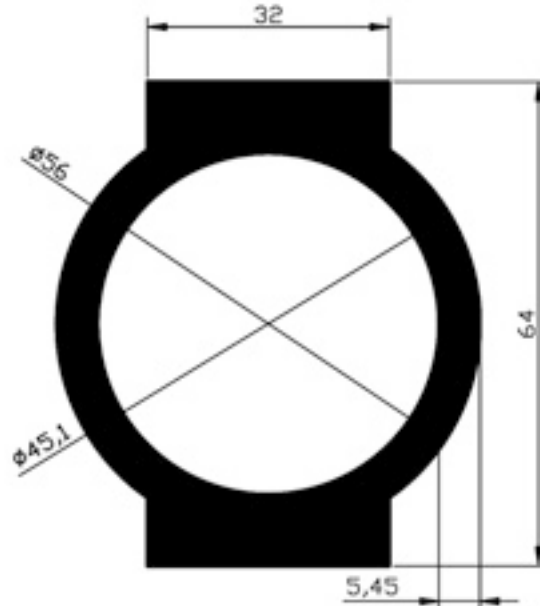
502.03
1.297gr/m



502.04
1.497gr/m



502.05
3.062gr/m

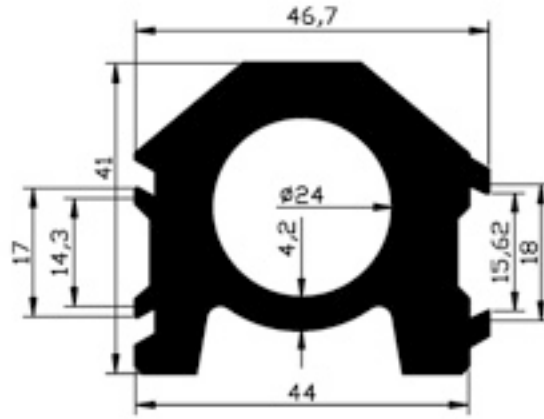


502.06
3.318gr/m

SANAYİ PROFİLLERİ 502



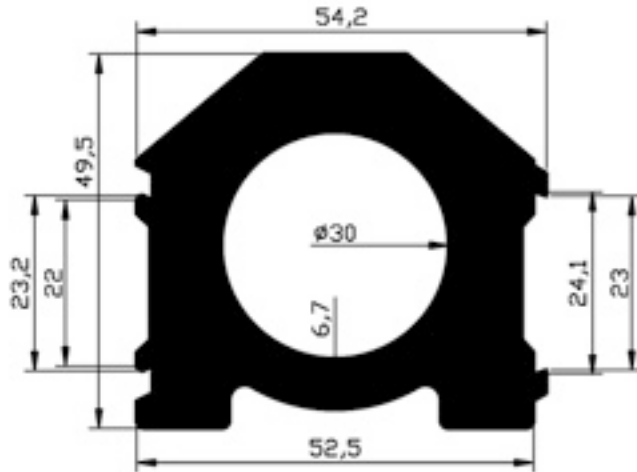
502.07
0.126gr/m



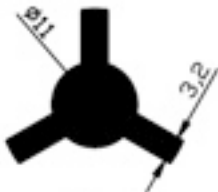
502.14
2,573 gr/mt



502.08
0.248gr/m

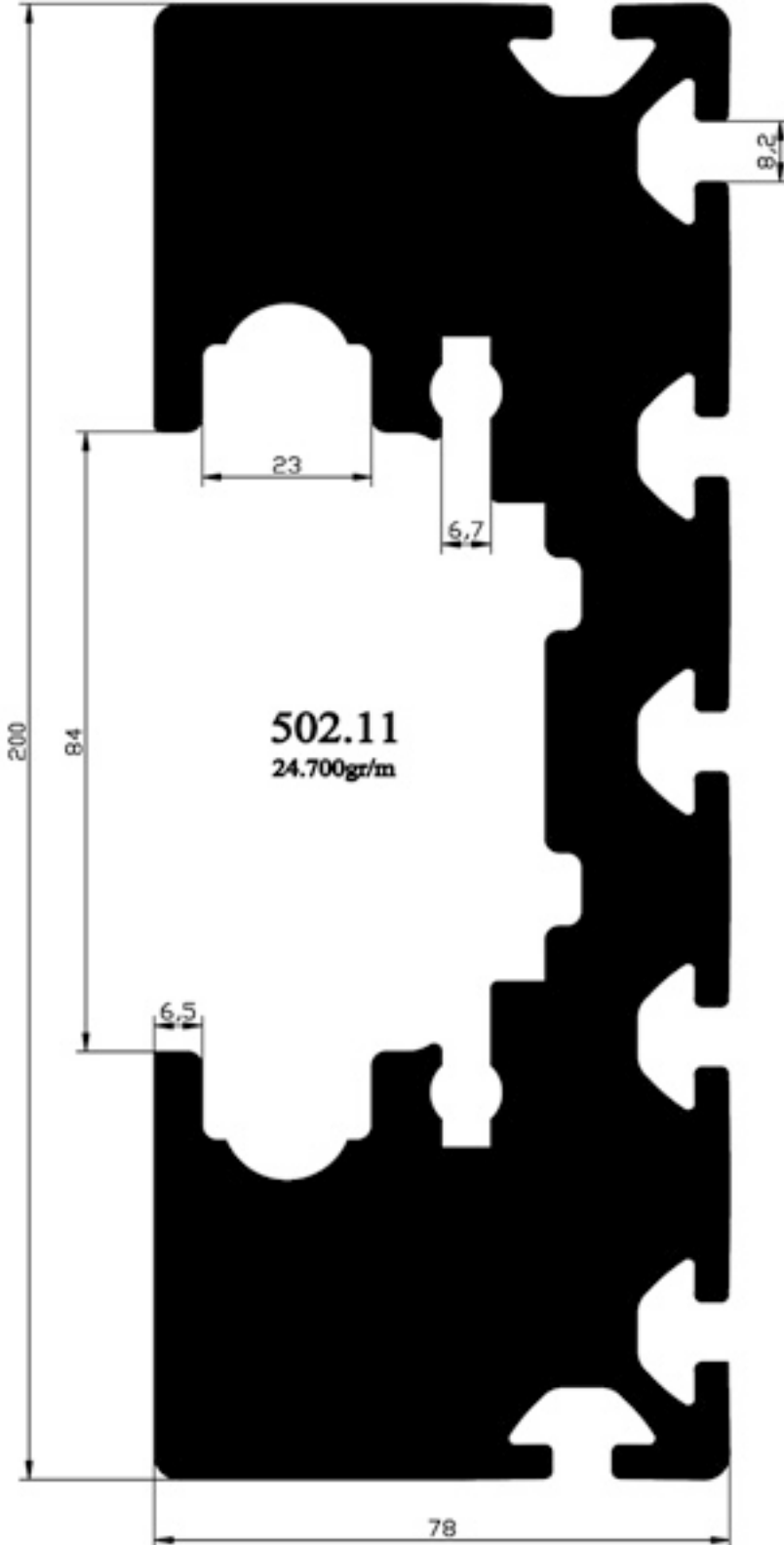


502.15
4,032 gr/mt



502.09
4.441gr/m

SANAYİ PROFİLLERİ 502



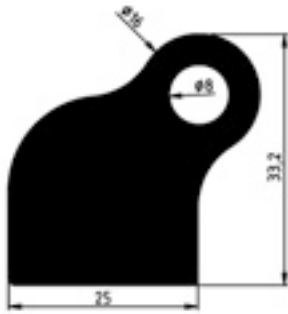
SANAYİ PROFİLLERİ 502



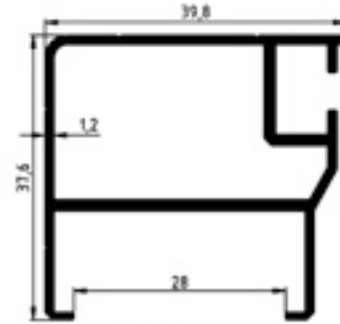
502.16
1,137 gr/mt



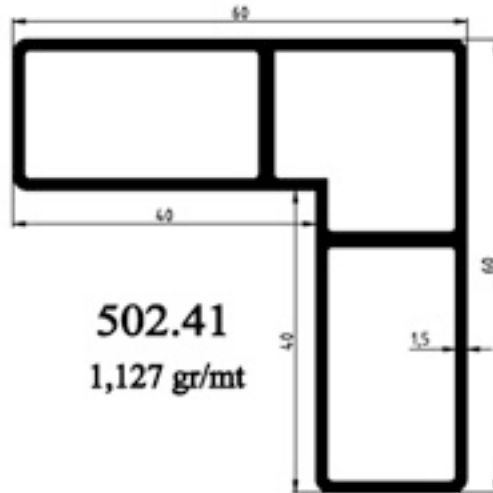
502.17
1,481 gr/mt



502.18
1,719 gr/mt

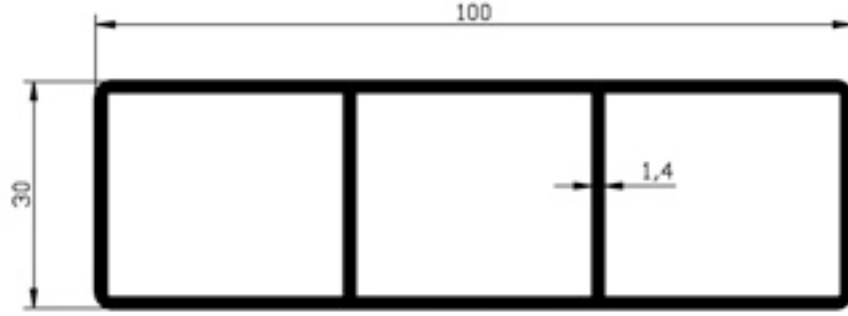


502.40
0,502 gr/mt

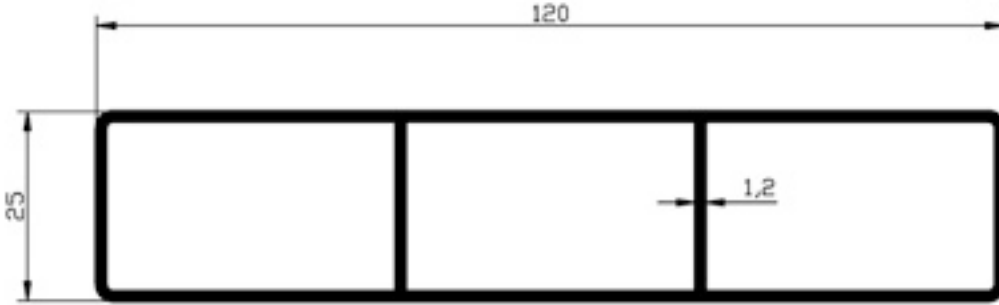


502.41
1,127 gr/mt

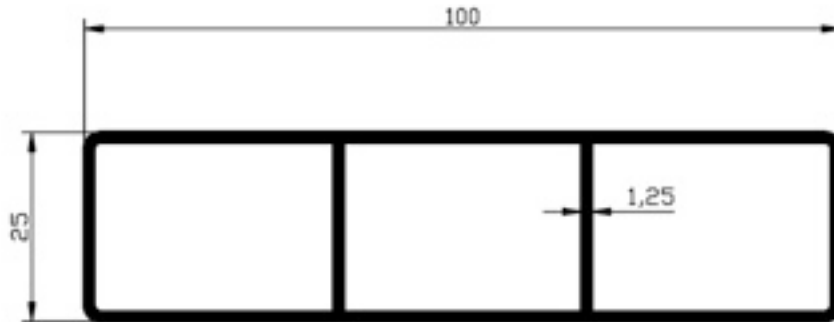
TIR DORSE ve KAROSER PROFİLLERİ 501



501.01
1,160gr/m

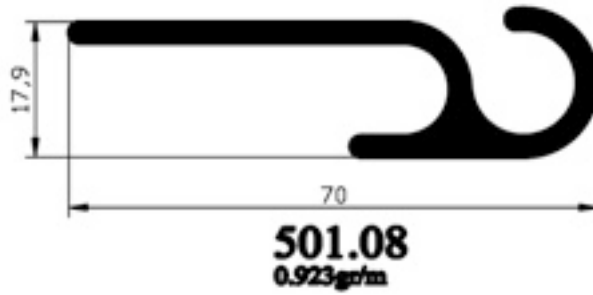
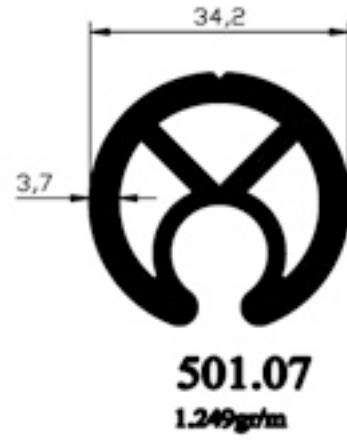
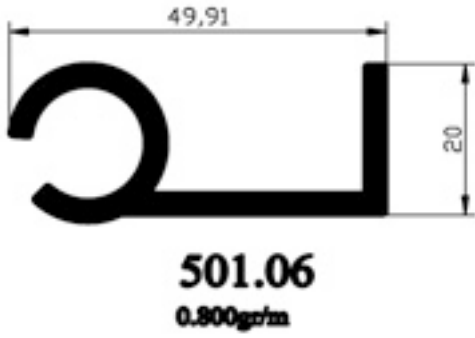
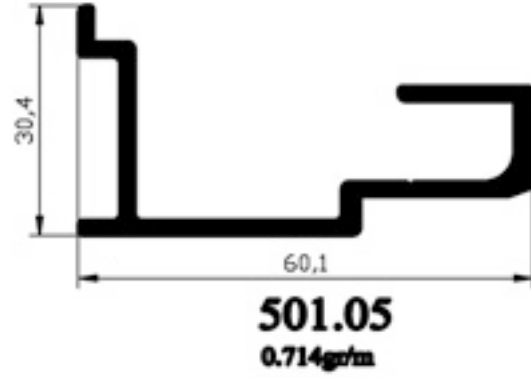
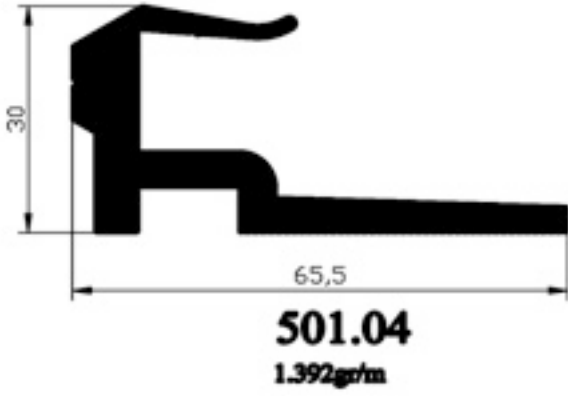


501.02
1.065gr/m

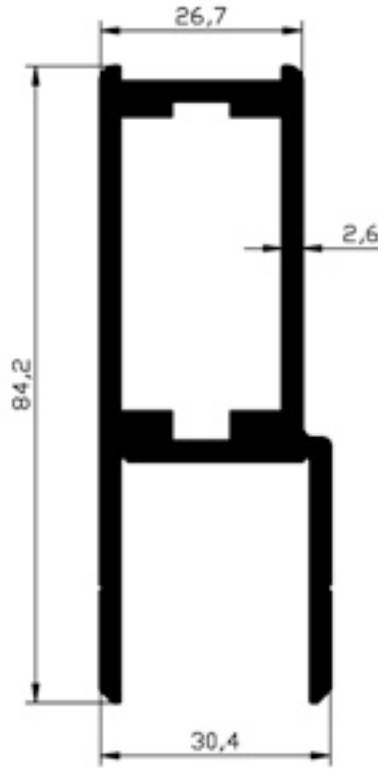


501.03
0.972gr/m

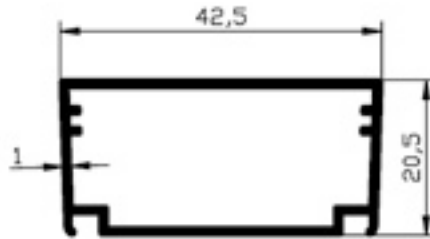
TIR DORSE ve KAROSER PROFİLLERİ 501



TIR DORSE ve KAROSER PROFİLLERİ 501

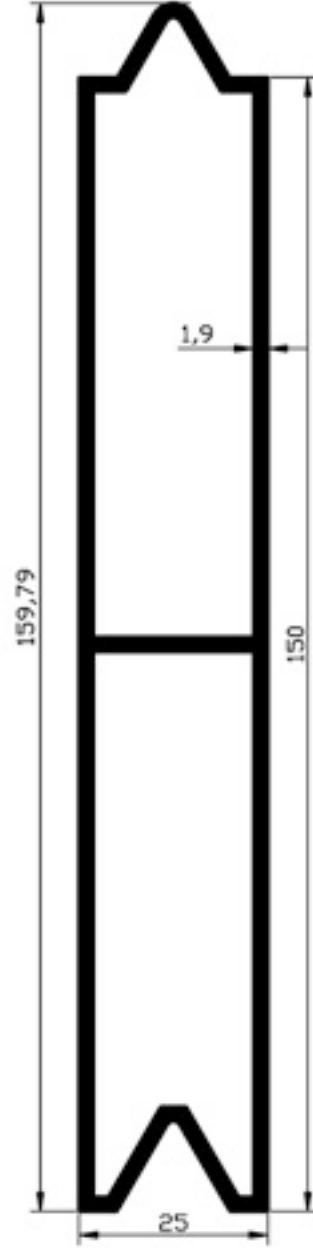
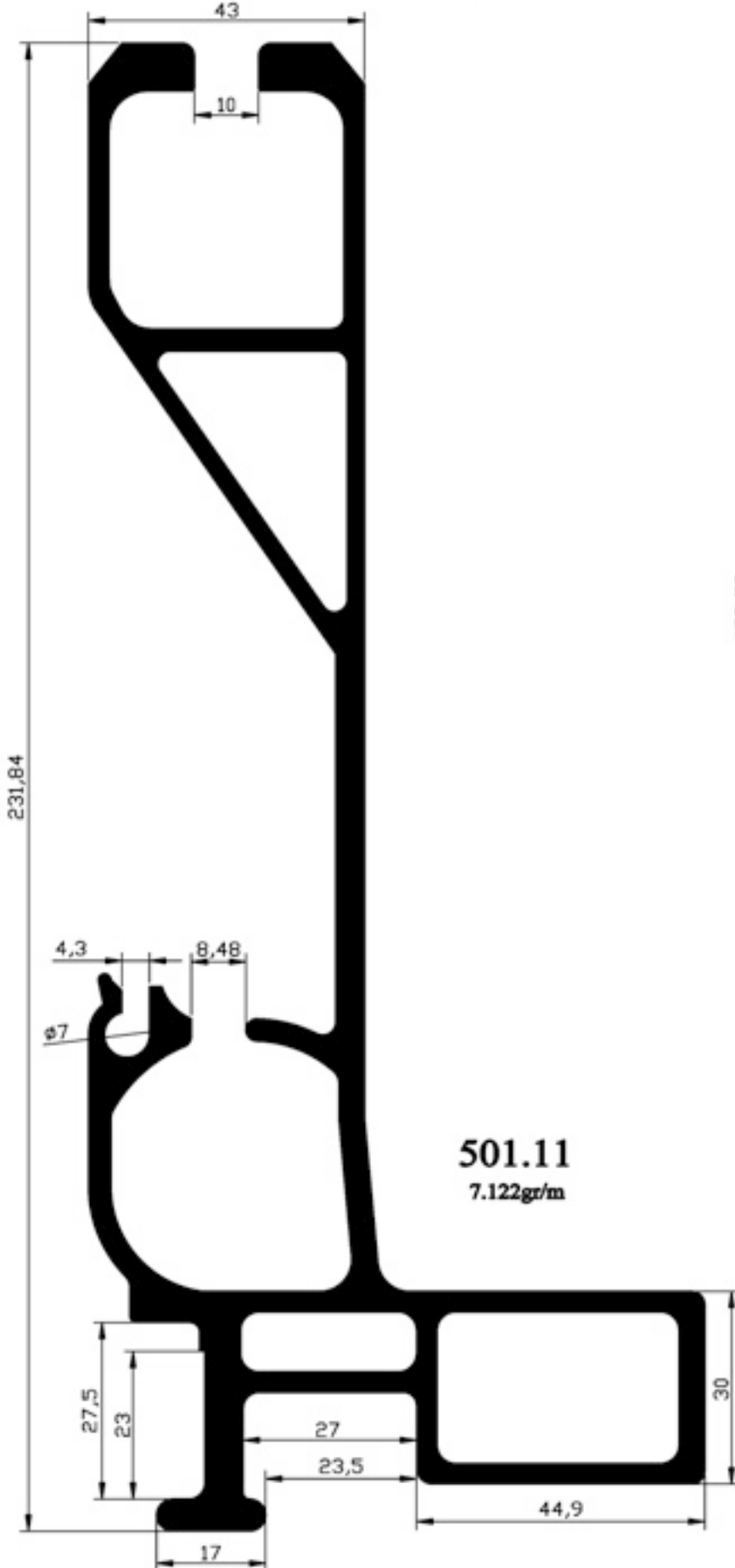


501.09
1.720gr/m

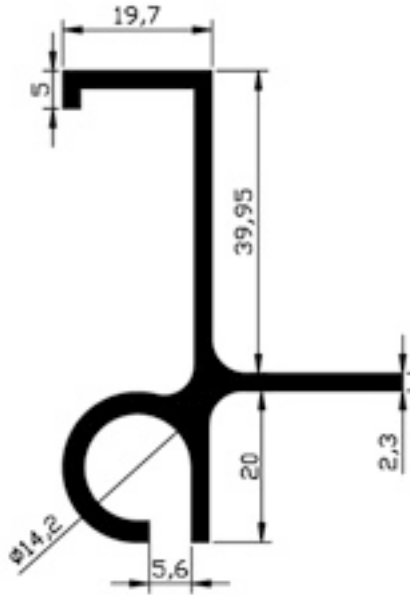


501.10
0.355gr/m

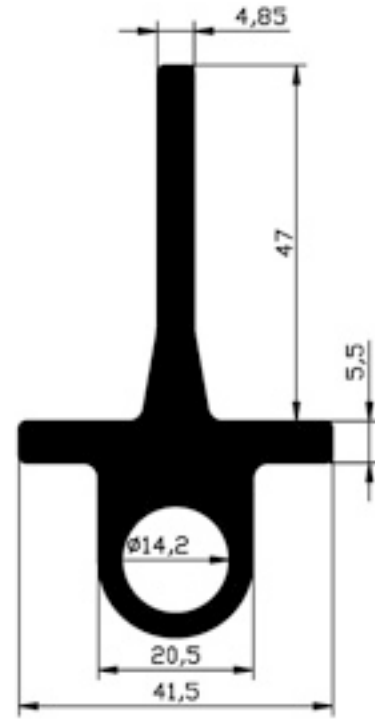
TIR DORSE ve KAROSER PROFİLLERİ 501



TIR DORSE ve KAROSER PROFİLLERİ 501



501.13
0,991gr/m



501.14
2,030 gr/m